


515nm~520nm 1W~1.2W Laser Diode| High Power LD 9mm package |Green Laser Diode

520nm LD| 1W Power| 9mm TO5 Package | Used for medical cure, laser show

WSLD-520-001-2

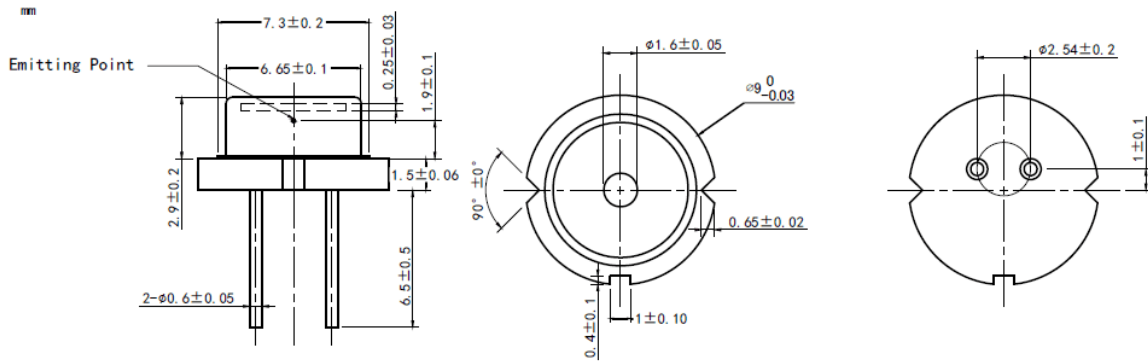
Wavespectrum Laser Group.

www.wavespectrum-laser.com

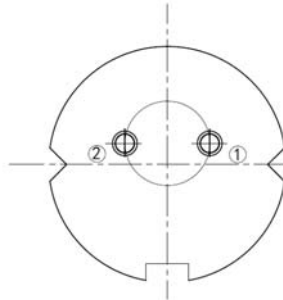
520nm Laser Diode		1W		en.wavespectrum-laser.com.cn	
PARAMETER	SYMBOL	VALUE		UNIT	
Forward Current	I <sub>f</sub>	2.0		A	
Operating Temperature	T <sub>op</sub>	0~+60		°C	
Storage Temperature	T <sub>stg</sub>	-40~+85		°C	
Lead soldering temperature (10 sec.)	T <sub>is</sub>	260		°C	
<b>Features:</b> <ul style="list-style-type: none"> <li>520nm</li> <li>1W Output Power</li> <li>TO5 (9mm) Package</li> <li>Long lifetime</li> </ul>					
<b>Applications:</b> <ul style="list-style-type: none"> <li>Medical Laser Treatment</li> <li>Laser Show</li> <li>Others</li> </ul>					
<b>Specifications</b>		<b>WSLD-520-001-2</b>			
		Min	Type	Max	
Center Wavelength@25°C		510nm	520nm	530nm	
Spectral Width (FWHM)		3.0nm			
Output Power		-----	1.0W	-----	
Recommended Operating Temperature		25°C			
Beam Divergence		-----	12°± x 45° //	-----	
Monitor Current		----			
Slope Efficiency		----	0.8W/A	----	
Threshold Current (Typ.)		----	0.2A	0.5A	
Operating Current (Typ.)		----	1.6A	1.8A	
Operating Voltage		----	4.9V	5.5V	
Package Style		9mm			



### Package View



### PIN Bottom View:



1	LD(+)
2	LD(-)

Electrically shorten LD module and store in non-extreme conditions.  
 Suggest using the constant current power supply.

